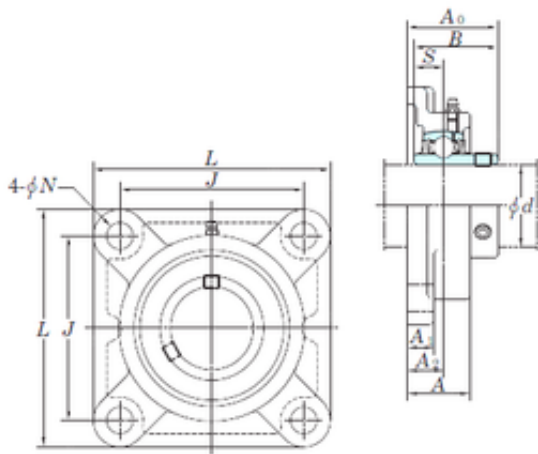


## KOYO UCFX08 bearing units

Bearing No. UCFX08



UCFX08 Bearing 2D drawings and 3D CAD models

Bore Diameter	40 mm
d	40 mm
A0	52,2 mm
A	40 mm
A1	14 mm
B	49,2 mm
J	105 mm
L	137 mm
N	19 mm
S	19 mm
Bolt (G)	M16
A2	22 mm
Weight	2,4 Kg
Basic dynamic load rating (C)	34,1 kN
Basic static load rating (C0)	21,3 kN
Bearing No.	UCFX08
Bolt size	M16
Cr	32.7
C0r	20.3
f0	14.0
(Refer.)Unit mass(kg)	2.4
Nipple size	1/4-28UNF