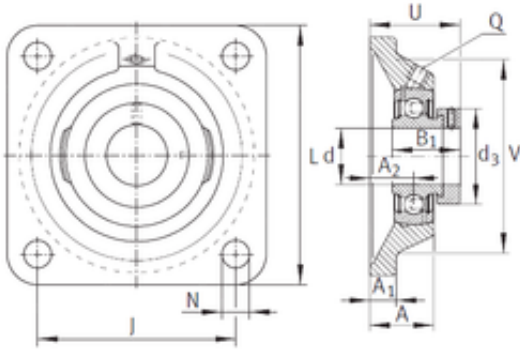




# NTN DRIVESHAFT ANDERLU, INC.

## INA PCJ1-7/16 bearing units



Bearing No. PCJ1-7/16

Bore Diameter	36,513 mm
d	36,513 mm
V	103,988 mm
U	50,495 mm
Thread (Q)	1/8 NPT
d3	51,003 mm
A	34,493 mm
A1	13,487 mm
B	38,989 mm
J	91,999 mm
L	118,491 mm
N	13,995 mm
A2	21,006 mm

PCJ1-7/16 Bearing 2D drawings and 3D CAD models