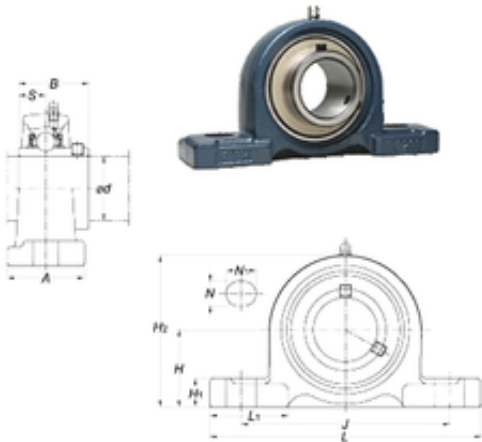


## FYH UCP314 bearing units



Bearing No. UCP314

Bore Diameter	70 mm
Width	78 mm
d	70 mm
A	90 mm
B	78 mm
H	95 mm
H1	35 mm
H2	186 mm
J	280 mm
L	360 mm
L1	110 mm
N	27 mm
N1	40 mm
S	33 mm
Bolt (G)	M22
Weight	12,4 Kg
Basic dynamic load rating (C)	104 kN
Basic static load rating (C0)	68,2 kN
Category	Mounted Units & Inserts
Inventory	0.0
Manufacturer Name	FYH BEARING UNITS
Minimum Buy Quantity	N/A
Weight / Kilogram	0
Product Group	M06110

UCP314 Bearing 2D drawings and 3D CAD models