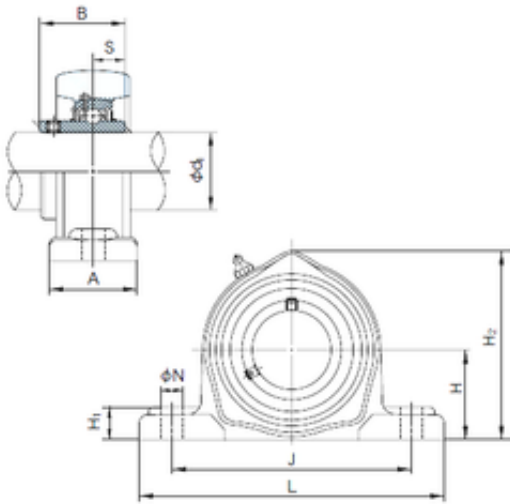


NACHI UCPK215 bearing units

Bearing No. UCPK215



UCPK215 Bearing 2D drawings and 3D CAD models

Bore Diameter	75 mm
Width	77.8 mm
d	75 mm
A	74 mm
B	77.8 mm
H	82.6 mm
H1	28 mm
H2	167 mm
J	217 mm
L	272 mm
N	24 mm
S	33.3 mm
Bolt (G)	M20