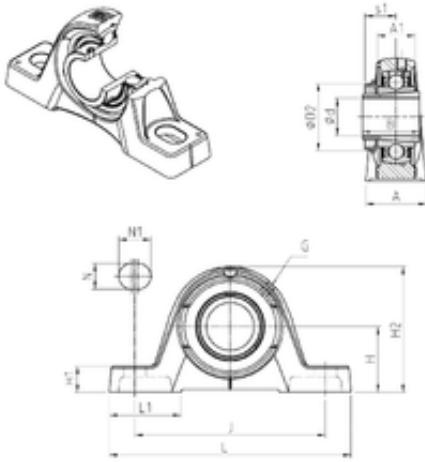


## SNR UKPE212H bearing units

Bearing No. UKPE212H



UKPE212H Bearing 2D drawings and 3D CAD models

Bore Diameter	55 mm
d	55 mm
s1	31 mm
A	60 mm
A1	42 mm
B	62 mm
D2	80 mm
H	69,9 mm
H1	25 mm
H2	140 mm
J	190 mm
L	240 mm
L1	71 mm
N	18 mm
N1	28 mm
Thread (G)	R1/8"
Weight	4,8 Kg
Basic dynamic load rating (C)	52,5 kN