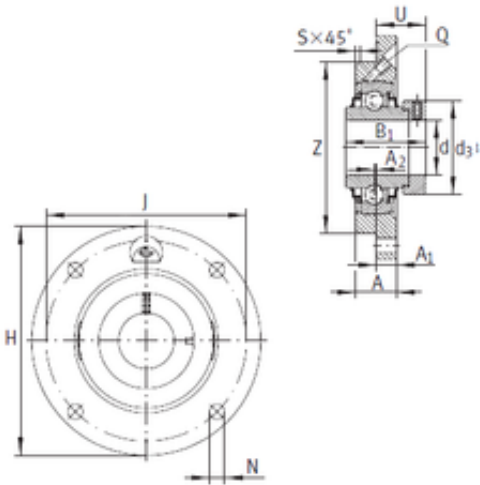




NTN DRIVESHAFT ANDERIU, INC.



INA RME55 bearing units

Bearing No. RME55

Bore Diameter	55 mm
d	55 mm
U	43,6 mm
Thread (Q)	M6
Z	125 mm
d3	76 mm
A	27,5 mm
A1	15 mm
B1	71,4 mm
H	185 mm
J	150 mm
N	18 mm
S	3 mm
Weight	3,37 Kg
Basic dynamic load rating (C)	43,5 kN
Category	Bearings
Inventory	0.0
Manufacturer Name	SCHAEFFLER GROUP
Minimum Buy Quantity	N/A
Weight / Kilogram	3.44
Product Group	M06110

RME55 Bearing 2D drawings and 3D CAD models