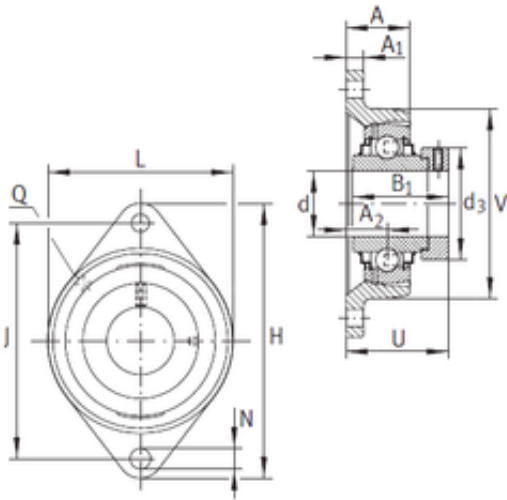


INA RCJT50-FA164 bearing units

Bearing No. RCJT50-FA164



RCJT50-FA164 Bearing 2D drawings and 3D CAD models

Bore Diameter	50 mm
d	50 mm
V	116 mm
U	66,2 mm
Thread (Q)	Rp1/8
d3	69 mm
A	39 mm
A1	13 mm
B1	62,8 mm
H	190 mm
J	157 mm
L	116 mm
N	18 mm
A2	28 mm
Weight	2,2 Kg
Basic dynamic load rating (C)	35 kN