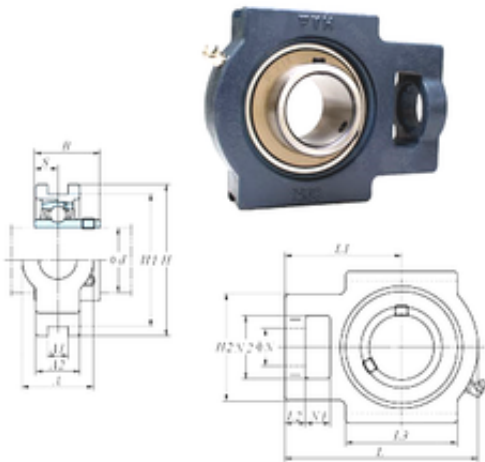


FYH UCT305-16 bearing units



Bearing No. UCT305-16

Bore Diameter	25,4 mm
d	25,4 mm
L2	12 mm
L3	65 mm
A	36 mm
A1	12 mm
B	38 mm
H	89 mm
H1	80 mm
H2	62 mm
L	122 mm
L1	76 mm
N	26 mm
N1	16 mm
S	15 mm
A2	26 mm
N2	36 mm
Weight	1,4 Kg
Basic dynamic load rating (C)	21,2 kN
Basic static load rating (C0)	10,9 kN

UCT305-16 Bearing 2D drawings and 3D CAD models