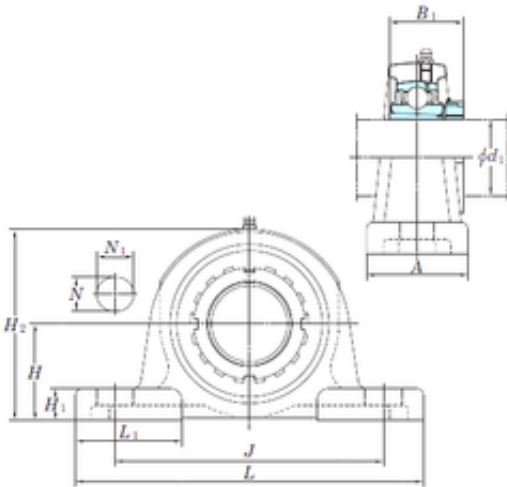


KOYO UKPX13 bearing units

Bearing No. UKPX13



UKPX13 Bearing 2D drawings and 3D CAD models

| | |
|-------------------------------|-----------|
| Bore Diameter | 60,325 mm |
| Width | 76,2 mm |
| d | 60,325 mm |
| A | 83 mm |
| B1 | 65 mm |
| H | 76,2 mm |
| H1 | 28 mm |
| H2 | 155 mm |
| J | 203 mm |
| L | 286 mm |
| L1 | 88 mm |
| N | 25 mm |
| N1 | 40 mm |
| Bolt (G) | M20 |
| Weight | 7,8 Kg |
| Basic dynamic load rating (C) | 62,2 kN |
| Basic static load rating (C0) | 44,1 kN |