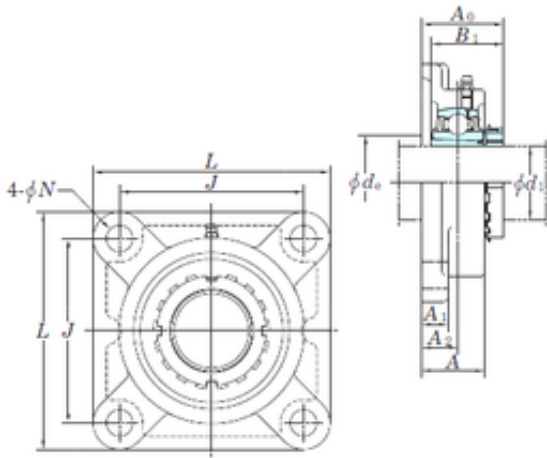


## KOYO UKF315 bearing units

Bearing No. UKF315



UKF315 Bearing 2D drawings and 3D CAD models

Bore Diameter	65 mm
d	65 mm
A0	81,5 mm
A	66 mm
A1	25 mm
B1	73 mm
J	184 mm
L	236 mm
N	25 mm
Thread (G)	M22
A2	39 mm
Weight	11,7 Kg
Basic dynamic load rating (C)	113 kN
Basic static load rating (C0)	77,2 kN