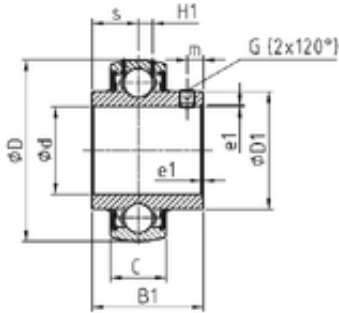


SNR UC206-20 deep groove ball bearings



Bearing No. UC206-20

Size	31.75x62x19 mm
Bore Diameter	31,75 mm
Outer Diameter	62 mm
Width	19 mm
d	31,75 mm
D	62 mm
B1	38,1 mm
C	19 mm
e	0,6 mm
a	1/8 mm
m	5,5 mm
s	15,9 mm
D1	40,3 mm
H1	5 mm
Thread (G) - 1/4-28UNF	1/428UNF
Weight	0,3 Kg
Basic dynamic load rating (C)	19,5 kN

UC206-20 Bearing 2D drawings and 3D CAD models